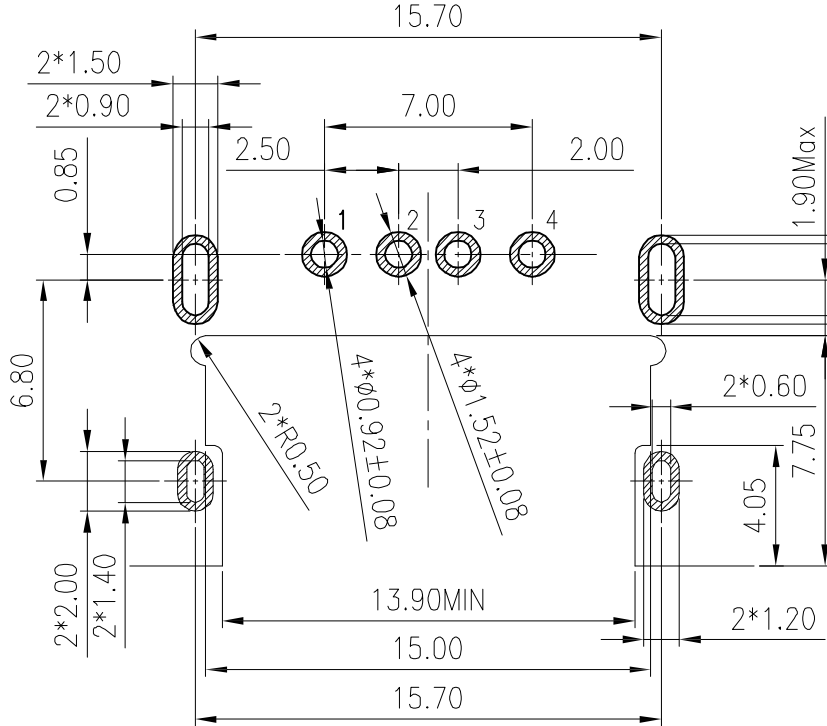
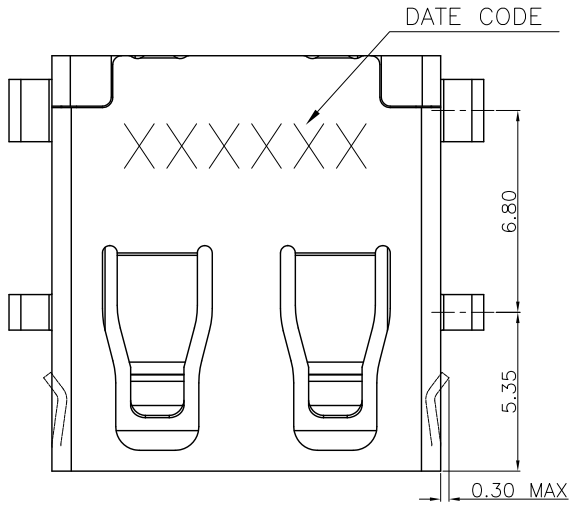
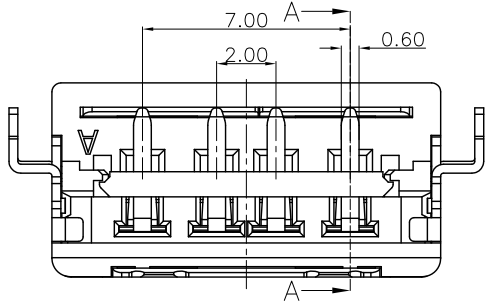
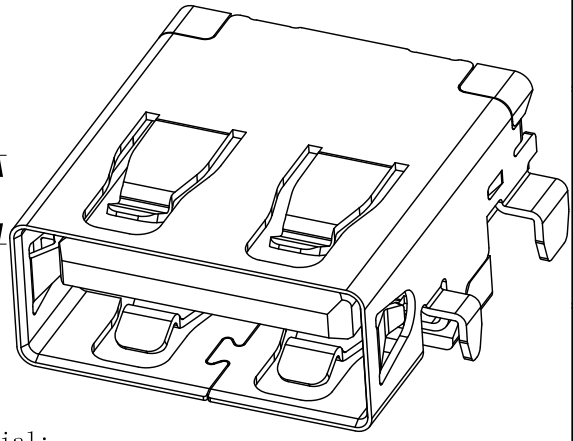


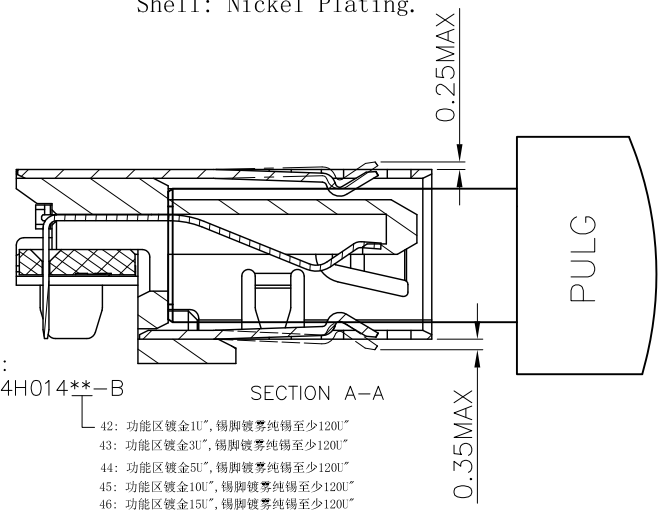
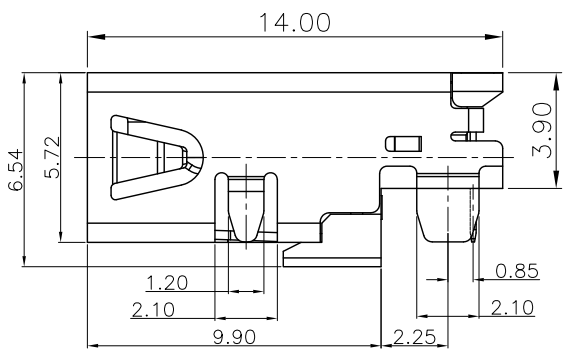
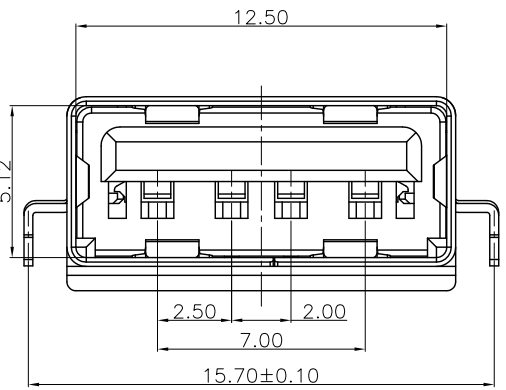
REV.	ECN.NO.	MODIFY.CONTENT
A	/	NEW



RECOMMENDED PCB LAYOUT (TOP VIEW)
(DEFAULT DIMENSION TOL=±0.05mm)



Notes:
 1. Material:
 Housing: LCP, rated UL 94V-0, color:black.
 Contacts: Phosphor Bronze, T=0.20 mm.
 Shell: Metal T=0.30 mm.
 Cover: LCP, rated UL 94V-0, color:black.
 2. Plating:
 Contacts: Selected Gold Plating on Contact Area, Tin 120u" at Solder Tail Under Nickel Plating.
 Shell: Nickel Plating.



PART.NO.: U41-AF04H014**-B

- 42: 功能区镀金1U", 锡脚镀雾纯锡至少120U"
- 43: 功能区镀金3U", 锡脚镀雾纯锡至少120U"
- 44: 功能区镀金5U", 锡脚镀雾纯锡至少120U"
- 45: 功能区镀金10U", 锡脚镀雾纯锡至少120U"
- 46: 功能区镀金15U", 锡脚镀雾纯锡至少120U"
- 47: 功能区镀金30U", 锡脚镀雾纯锡至少120U"

GENERAL TOLERANCE	DWG.NO.	U41-AF04H01400-B	PART.NO.	U41-AF04H014**-B	DRAWN	L.M.J 2014.04.11
x.±0.50	REV.	A	TITLE	USB2.0 4P DIP AF 90° 母座	CHECKED	
.x±0.25	SIZE	A4	SHEET	1 OF 1	APPROVED	
.xx±0.15						

UNIT	mm	SCALE	1:1
东莞市欧联电子科技有限公司 DONGGUAN OLN ELECTRONICS TECHNOLOGY CO., LTD.			